



HEAT & GLO™
No one builds a better fire



VRTIKL
Freestanding Gas Fireplace



Up-to-the-minute
& state-of-the-art



A. Curved outer glass front comes standard with a choice of bronze, gray or green tint (bronze shown).

B. Optional color-tinted hearth pad available in bronze, gray or green (gray shown). **Note:** Hearth pad for VRTIKL with cast stone surround is rectangular.

Cover photo: VRTIKL shown with bronze curved outer glass and matching optional hearth pad and optional rear vent .

Top photo: VRTIKL shown with green curved outer glass and matching optional hearth pad in top vent configuration.

It's the best of both worlds. Sleek lines and contemporary styling combined with the advanced thinking and practicality of a balanced flue freestanding gas fireplace—that's VRTIKL. Any way you look at it—from its finely detailed construction to its graceful shape to its tall, curved firebox opening—VRTIKL makes a powerful modern design statement.

- Curved glass front comes with a choice of three color tints, giving you creative options to coordinate with your home's interior. It even has optional color-tinted glass hearth pads to match the fronts.
- Tall viewing area maximizes enjoyment of the fire.
- Utilizes a completely sealed balanced flue system that vents off the top or rear. (Rear venting requires conversion kit.)



Bronze Tint



Gray Tint



Green Tint

VRTIKL

The beauty of modern design
meets the intelligence of advanced engineering.



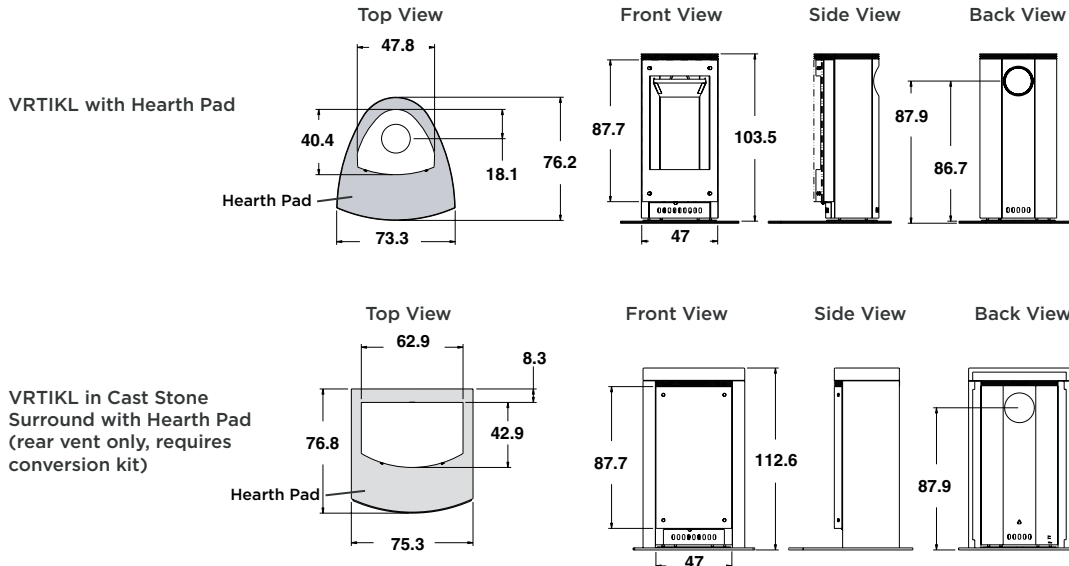
Cast Stone Surround

For a commanding finishing option and a larger, more substantial freestanding fireplace look, choose the cast stone surround—designed specifically for VRTIKL.

VRTIKL shown with cast stone surround, rear vent conversion kit and optional rectangular-shaped hearth pad.

VERTIKL Specifications

MODEL	HEIGHT	FRONT WIDTH	BACK WIDTH	DEPTH	Viewing Area	kWh Output
VERTIKL	103.5	47.8	47.8	40.4	47 x 87.7	NG 5.7 - 4 LPG 5.7 - 4 BG 5.7 - 4
VERTIKL with surround	112.6	62.9	62.9	42.9	47 x 87.7	NG 5.7 - 4 LPG 5.7 - 4 BG 5.7 - 4



Dimensions above are in centimeters and for reference only. We recommend measuring individual units at installation. Make sure you do NOT cover the decorative door opening. Refer to installation manual for detailed specifications on installing this product. Heat & Glo reserves the right to update units periodically. The flame and ember appearance may vary based on the type of fuel burned and the venting configuration used. Pictures in this brochure are not true representations of the fireplace, flames and/or finishes.

VERTIKL Features

- Curved front glass comes with a choice of bronze, gray or green tint
- Adjustable flame height
- IntelliFire ignition system
- Ceramic inner glass
- Multi-function remote system
- Natural convection design provides better air circulation
- Durable satin pewter finish
- Sealed combustion chamber vents off the top, convertible to rear vent
- Optional bronze, gray or green tinted glass hearth pads
- Optional cast stone surround
- Optional rear vent kit
- Optional fan kit
- Energy saving—75% efficiency
- CE approved

For complete information and valuable assistance on this model, please contact us at:

IntelliFire

Our state-of-the-art IntelliFire ignition system eliminates a continuously burning pilot light and supplies backup battery power during a power outage, reducing gas consumption and lowering operating costs. Never again will you manually light a pilot or bend down to start your fireplace.

Convenient Operation

Operate the fireplace, adjust the flame height and view the current room temperature all from the comfort of your chair. Whether you wish to have the fire greet you in the morning for that first cup of coffee or warm the room prior to your arrival home at night, simply program the start time and temperature—the Deluxe remote will do the rest. To protect the little ones, each remote is equipped with a child safety start and a wall bracket should you wish to locate the remote out of reach.

Healthy Hearth

A completely sealed system, Heat & Glo balanced flue gas fireplaces draw 100% of combustion air from the outdoors and exhaust all combustion byproducts back outside, with no affect on indoor air quality. In addition, cold air drafts are eliminated and heat output is maximized. No electricity, power venting or fan are required to operate, eliminating the need for a conventional chimney, and allowing for installation in nearly any room of the home. TR technology, another Heat & Glo invention, allows for venting off the top or rear, providing even greater placement flexibility.

HEAT & GLO